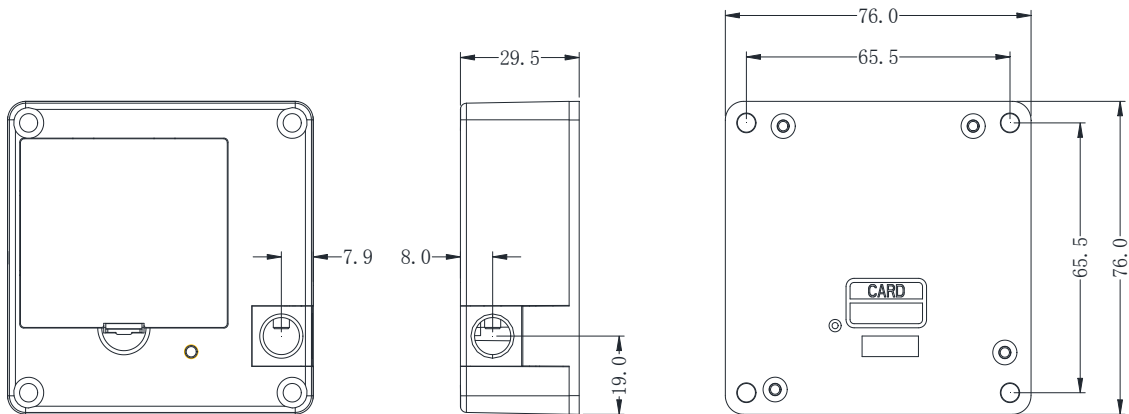


TT Lock Hidden cabinet lock Instructions

1.Product Features



2. Installation

2.1 Sector door installation

2.1.1 Install the lock body:

Straighten the lock box, position the lock body according to (figure 2), fix it with 4 countersunk head self-tapping 4*40 machine screws, and install 4pcs 7# alkaline batteries;

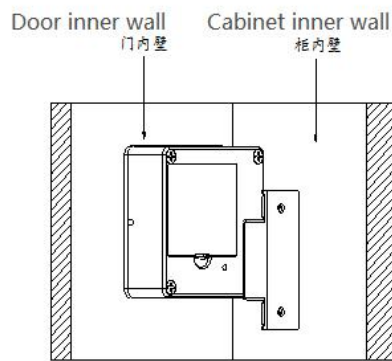


Figure 1

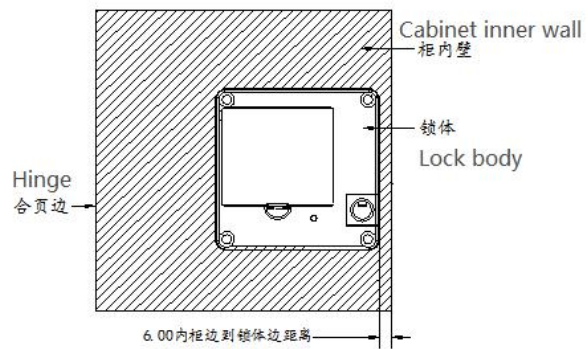


Figure 2

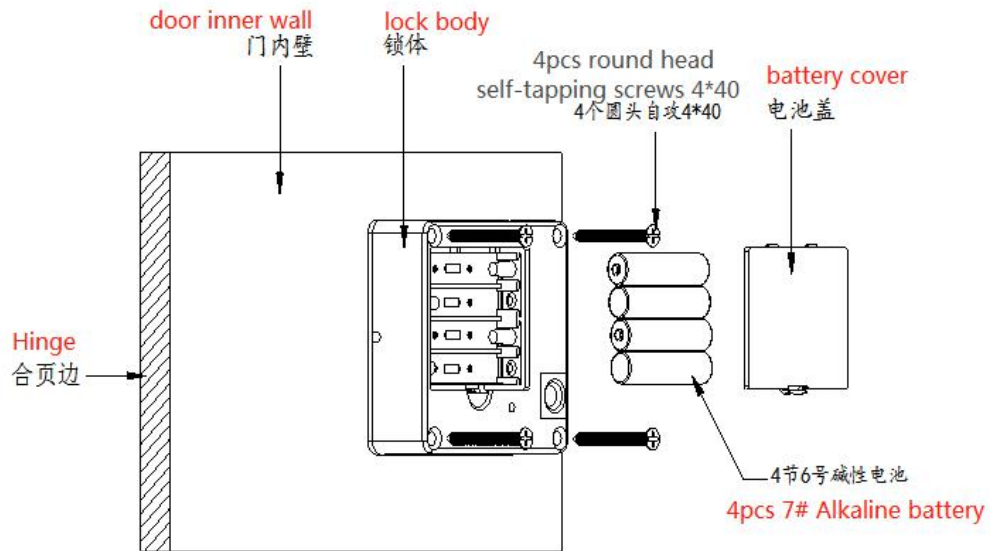


Figure 3

2.1.2 Install the lock buckle

Straighten the lock buckle, at the inside of the wall of the cabinet, Refer to (Figure 5), select appropriate height from the lock compartment, the buckle can be buckled to the lock compartment after closing the door; fixed with two 4*20 round head self-tapping screws.

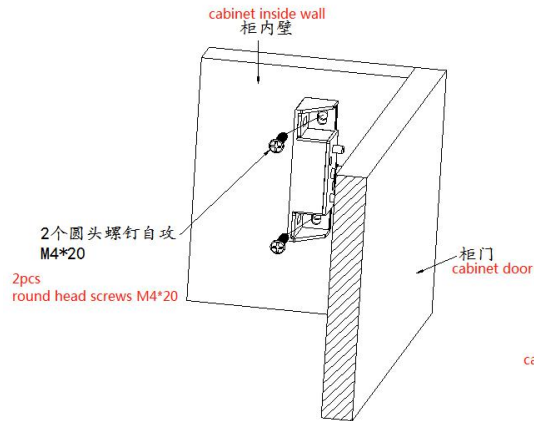


Figure 4

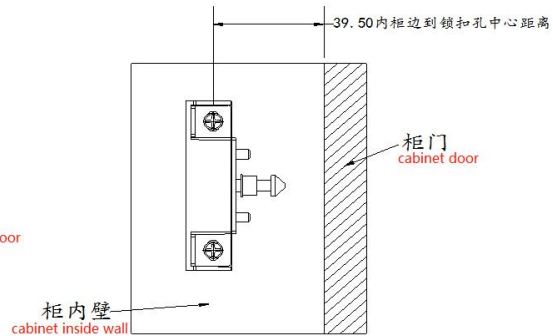


Figure 5

2.2 Sliding door installation

2.2.1 Install the lock body

Straighten the lock box, position the lock body according to (Figure 7), fix it with 4 countersunk head self-tapping 4*40 machine screws, and install 4 No. 7 alkaline batteries;

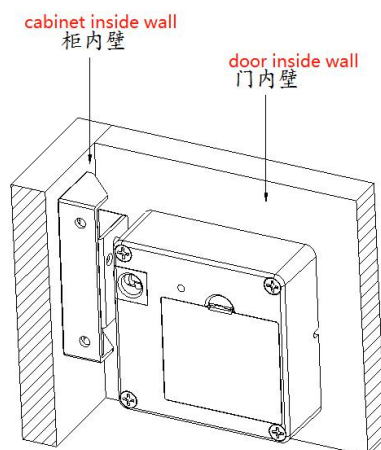


Figure 6

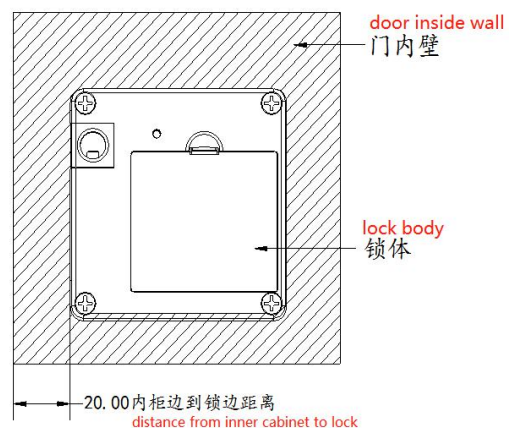


Figure 7

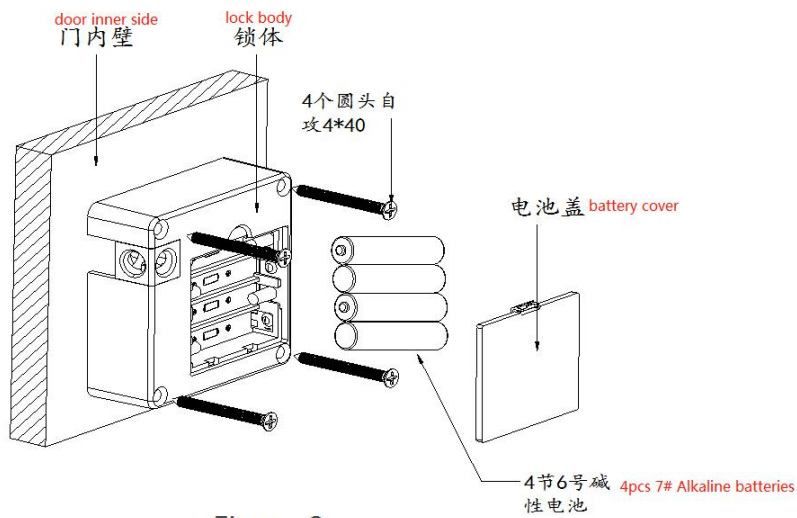


Figure 8

2.2.2 Install the lock buckle

Straighten the buckle, on the inside of the door cabinet wall, according to the appropriate height from the lock (Figure 10), the buckle can be buckled to the lock after closing the door, and fixed with two 4*20 round head self-tapping screws.

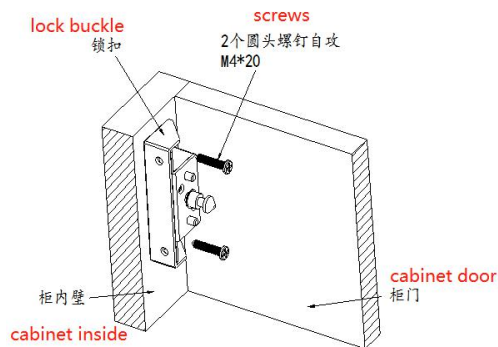


Figure 9

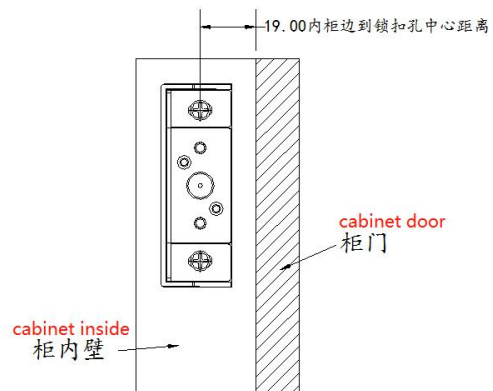


Figure 10

3. System

This system uses Nordic 51802 Bluetooth chip as the main control, supports Bluetooth low energy (BLE 4.1), can manage door lock (password, electronic key, IC card) and unlock through App, and supports password unlock and IC card unlock. The door lock supports firmware upgrade, and software functions can be expanded through firmware upgrade.

App electronic keys and IC cards can specify the validity period (start time-end time), and the lock can only be unlocked within the validity period.

1) Mobile phone Bluetooth unlock

Based on Bluetooth low energy technology, it can be unlocked conveniently through mobile phone APP.

2) Remote distribution of electronic keys

The electronic key can be sent to the tenant at any time, and the validity period of each electronic key can be flexibly set, or the electronic key can be frozen/unfrozen.

3) IC card unlock

You can open the door by swiping the IC card with the information entered.

4) Unlock record monitoring

Unlocked by IC cards and APP , the records are kept. After any mobile phone APP operates the door lock and connects to the network and synchronizes information, all unlocking records can be seen on the administrator APP.

3.1 Parameter

Power supply	4pcs 7# Alkaline batteries
Low electric alarm voltage	4.8V
Voltage range	4.5~9V
Voltage range	65 μ A
Working current	< 200 mA
Unlock time	\approx 1.5 seconds
Working temperature Range	-20~70 $^{\circ}$ C
Supported card types	MIFARE M1 card
IC cards capacity	200pcs
Unlocking method	App、 IC card
Motor interface output voltage	Battery voltage minus 0.3V

4. Use Instructions

Features	Operation
1. Restore factory settings	Long press the reset button on the lock, hear two beeps, the lock will restore to factory settings, clear all passwords, cards and mobile phone administrator.
2. Add a phone administrator	The door lock of the administrator is not added, the user touches the button to light the door lock, and then adds the Bluetooth administrator on the App, and hears a long beep sound is OK.
3. Delete the phone administrator	Select the lock of the mobile phone administrator to be deleted in the App, click Settings, and click Delete. Note: After deleting the administrator on the App, the lock is restored to the factory settings, and all the cards added before are invalid.
4. Add IC card	Click "IC Card" on the App -> Add IC Card -> Enter the name and select the validity period -> Click Confirm, then swipe to add. Note: It must be operated beside the lock.
5. Delete the IC card	Click "IC Card" on the App -> click the card to be deleted -> click Delete. Note: It must be operated beside the lock.
6. Rename the IC card	Click "IC Card" on the App -> click on the IC card to be renamed -> click on the name -> enter a new name.
7. Modify the validity period of the IC card	Click "IC Card" on the App -> click the IC card whose validity period needs to be modified -> click the validity period -> enter the new validity period -> click Save. Note: It must be operated beside the lock.
8. Unlock	App unlock: Click the lock icon on the app to unlock. Note: It must be operated beside the lock. When there is NB, the remote unlock function can also be unlocked after the remote unlock function is turned on (the remote unlock is turned off by default).
	IC card unlock: Put the added IC card in the swipe area to unlock.
9. Lock	After unlocking, it will automatically lock after 5 seconds timeout (except for temporary normally open).
10. View unlocking records	Select the door lock on the App and click the operation record to view it. Note: When there is no gateway, the unlocking record of the IC card can only be viewed after unlocking through the App.
	Click an IC card on the App, click the operation record, and view all the records of this IC card.

11. Firmware upgrade	The lock can be upgraded through the app, click on the app -> lock upgrade to upgrade the new firmware of the lock. Note: It must be operated beside the lock.
12. Reset button	Users can turn on/off the reset button function in the App.

5. Supporting apps

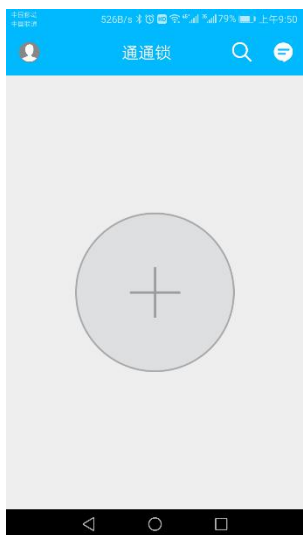
We provide "TTLock", "Good Housekeeper" and other apps to manage the door lock, support Chinese, English, Spanish, French, German, Italian, Russian, Portuguese, Dutch, Polish, Slovak, Serbian , Vietnamese, Malay, Japanese, Korean, Bulgarian, Hebrew, Czech, Swedish, Arabic, Czech and other languages. Cloud servers are deployed on Alibaba Cloud and Amazon Cloud. App can be downloaded through AppStore or "App Treasure", or it can be downloaded by scanning QR code.

5.1 TTLock

a) Download the QR code



b) Interface



5.2 TTRenting

a) Download the QR code



b) App interface



5.3 hotel.sciener.com

